

MANUALE DI INSTALLAZIONE, USO E MANUTENZIONE

INSTALLATION, USE AND MAINTENANCE HANDBOOK

MANUEL D'INSTRUCTIONS POUR L'INSTALLATION, L'EMPLOI ET L'ENTRETIEN

HANDBUCH FÜR INSTALLATION, BEDIENUNG UND WARTUNG

INSTRUCTIES VOOR MONTAGE, GEBRUIK EN ONDERHOUD

MANUAL DE INSTRUCCIONES, USO Y MANTENIMIENTO

MANUAL DE INSTRUÇÕES, UTILIZAÇÃO E MANUTENÇÃO

Italiano	pag. 3
English	pag. 8
Français	pag. 14
Deutsch	pag. 19
Nederlands	pag. 25
Español	pag. 31
Portuguêz	pag. 36

Part 1^a INSTALLATION INSTRUCTIONS

1 - GENERAL INFORMATION

This canopy hood is designed to be fixed to any rigid vertical surface, over a gas or electric hotplate and can be used either in the extraction mode (ducted to the outside) or in the recirculation mode (internal recycling). Before commencing the installation, consideration should be given to the difficulties to be found during installation and to the bulky weight of the hood. The installation work must be undertaken by a qualified and competent person in conformity to the rules concerning the evacuation of contaminated air. The manufacturer disclaims all liability for any damage or injury caused as a result of not following the instructions for installation contained in the following text.

2 - COMPONENTS

The cooker hood is made up of the following components (fig 1):

- 2.1 - n. 1 hood canopy C complete with controls, lighting and fan motor.
- 2.2 - n. 1 telescopic chimney stack formed by:
 - n. 1 U-shaped upper section item S
 - n. 1 U-shaped lower section item I
- 2.3 - n. 2 recirculation venting grilles item G (special versions only)
- 2.4 - n. 1 reduction flange Ø 150-120 A
- 2.5 - n. 1 recirculation spigot item R
- 2.6 - n. 1 deflector D (special versions only)
- 2.7 - n. 1 additional recirculation spigot P (special versions only, see paragraph 4.4 2 part 1^a)
- 2.8 - n. 1 plastic bag containing:
 - n. 1 wall brackets 1 to fix the canopy hood
 - n. 2 wall brackets 2 to fix the chimney, rawl plugs, screws, and documentation
 - n. 1 metal chimney insert L
- 2.9 - n. 1 splashback B (optional)

3 - SAFETY WARNINGS

- 3.1- When used in the extraction mode the cooker hood ducting must not be connected to a flue which is used for exhausting fumes from appliances supplied with energy other than electric such as a central heating flue or water heating flue.
- 3.2- Before connecting to the mains supply ensure that the mains voltage corresponds with the voltage on the rating plate inside the hood.
- 3.3- Connect the cooker hood to the mains via a double pole switch which has 3 mm clearance between the contacts.
- 3.4- The appliance must be earthed.
- 3.5- When installed, the hood must be positioned at least 65 cm above a cooking appliance.
- 3.6- Never do flambé cooking under this cooker hood.
- 3.7- Never leave frying pans unattended during use as overheated fats and oils may catch fire.
- 3.8- Before carrying out any kind of maintenance or cleaning, disconnect the hood from the mains supply.
- 3.9- If the room where the cooker hood is to be used contains a fuel burning appliance such as a central heating boiler then this must be of the room sealed or balanced flue type. If other types of flue or appliance are fitted ensure that there is an adequate

supply of air into the room. When the cooker hood is used in conjunction with other appliances supplied with energy other than electric, the negative pressure in the room must not exceed 0,04 mbar to prevent fumes being drawn back into the room by the cooker hood.

4 - INSTALLATION

For easy installation proceed as follows:

- 4.1 - Fix the wall brackets.
- 4.2 - Fix the canopy.
- 4.3 - Connect the hood to the mains supply and ensure that it works properly.
- 4.4 - Set the hood for recirculation or evacuation.
- 4.5 - Fix the telescopic metal frame.

4.1 - Fixing the wall brackets (and splashback).

Ref. to Fig. 2a-b

1 - Draw a vertical line on the wall, from the centre of the cooking appliance up to the ceiling, using a marking pen. This is to ensure the correct vertical alignment of many components.

2 - Fixing the wall brackets No. 1:

- a) Put the bracket I to the wall, aligning its marked centre across the vertical line, ensuring that the distance between the centres of the holes and the cooking area is as follows:

Draw a horizontal line on the wall ensuring that the distance from the cooktop is as follows:

- 1) when the splashback is to be installed: $d = 270 \text{ mm} + H$, where H is the height of the visible part of the splashback; as the splashback can be of different heights, the correct H figure can only be obtained by measuring the actual height of the splashback to be fitted.
- 2) without splashback $d = 920 \text{ mm}$ minimum.

Note: ensure that the wall bracket (I) is levelled. The hood can be aligned or adjusted in height by rotating the adjustment screws (see below).

- b) Mark on the wall the centres of the two keyholes of the bracket.

3 - Fixing the wall brackets item 2:

- a) Place one of the two brackets (item 2 fig. 1) 15 mm from the ceiling or from a horizontal line drawn between the top of the adjoining wall cabinets, ensuring that the bracket is level and mark the centres for the keyhole bracket fixing screws.

- b) Place the other wall bracket (item 2 fig. 1) on the wall at "X" distance. This measurement should be determined by the height of the upper chimney stack and mark the centres for the keyhole bracket fixing screws.

4 - Pilot drill all the hole positions as marked on the wall using an 8 mm drill and fix the wall brackets 1-2 using the rawl plugs and screws supplied.

5 - Splashback (optional)

When a splashback is to be fitted, the distance between the cooker hood and the cooking appliances will be determined by the height of the splashback, item F. The splashback is to be installed **before** installing the canopy. If the splashback is to be fixed to the wall using both the **top** and **bottom** fixing holes care must be taken to ensure that the splashback is fitted at the **correct** height before fixing it into position. The fitting should be undertaken by a competent person with experience in this type of installation. If the splashback is to be fixed through **only** the **top** fixing holes proceeds as follows:

- a) Put the splashback on the worktop as illustrated in fig. 2a; then holding it against the wall to ensure that it is correctly positioned mark the holes for the top fixing screws on the wall.
- b) Pilot drill the wall using an 8 mm drill and fix the splashback using the 8 mm rawl plugs and screws supplied.
- c) If the fixing holes in the bottom of the splashback are not to be used to secure the

splashback to the wall the installer should ensure that the bottom edge is tucked down behind the rear of the worktop.

4.2 - Fixing the canopy hood (fig. 3)

- 1 - Adjust the two screws V (on the canopy connection points) to approximately half way.
- 2 - Hook the rear of the canopy to the wall bracket I, after anchoring the latter to the wall.
- 3 - Turn the screws V to adjust the canopy vertically and level it horizontally.
- 4 - Fit and lock the central fixing screw V1 (provided) to lock the canopy in place.

4.3 - Electrical connection and working test

- 1 - The safety measures 3.2, 3.3 and 3.4 of paragraph 3 are to be strictly observed.
- 2 - Once the electrical connection has been completed, check that worktop illumination, motor and speed work properly.

4.4 - Ducting or Recirculation fitting

- 1 - Ducting fitting
 - a) The cooker hood can be ducted to the outside using either rigid or flexible fire retardant ducting of 120 or 150 mm. The choice is left to the installer. When 120 mm ducting is to be used it will be necessary to install the reduction flange item A on the air outlet fig. 4.
 - b) The installer should provide suitable ducting and sealing material for the installation. The cooker hood can also be ducted to the outside through one of the rectangular openings located in either side of the lower section of the chimney stack. In this case the deflector (item D) should be fitted into the spigot (item R) to close the aperture which is not used (fig. 5).
 - c) If the hood is provided with the charcoal filters fitted, the filters should be removed (see paragraph 3.3 2 part 2^a).
- 2 - Recirculation fitting
 - a) The filtered air is returned to the room through the two side grilles on U-shaped lower section I, which are either formed in the metal itself (bottom position fig. 6), or as a plastic insert, and have two different heights to deal with different needs (bottom position fig. 6, top position fig. 7).
 - b) Lower position (fig. 6): fit the recirculation spigot item R into the round outlet on top of the canopy while pressing down on the spigot until it snaps into position.
 - c) Upper position (fig. 7): fit the additional spigot, item P, into the round outlet on top of the canopy while pressing down on the spigot until it snaps into position. Then fit the recirculation spigot R into the top of the spigot, item P, and install the charcoal filters inside the canopy as indicated in paragraph 3.3 2 part 2^a).
 - d) Chimney hood with grilles. **Nota:** The two venting grilles must not be fitted into the chimney stack until the chimney stack has been installed onto the wall above the canopy.

4.5 - Fitting the telescopic chimney stack (fig. 8)

- a) Fit the two plastic supports provided to the top part of the hood.
- b) To fit the upper section item S first expand the chimney slightly to allow it to fit over the wall brackets (item 2 fig. 1) and then secure the upper section using the 4 screws supplied.
- c) The lower section item I of the chimney stack should be fitted between the lower bracket 2 and the wall. Fix the U-shaped section to the plastic supports, using two of the screws provided in the bag of accessories.
- d) Chimney hood with grilles: once the chimney stack has been installed, fit the two venting grilles into the apertures located on either side of the lower chimney section. The grilles are marked with two arrows and should be fitted with one arrow pointing upwards and the other toward the front. When the hood is used in the recirculation mode ensure that the grilles are properly secured to the recirculation spigot item R, as illustrated in fig. 9.
- e) Snap on element L.

Part 2^a OPERATION AND MAINTENANCE INSTRUCTIONS

1 - SAFETY WARNINGS

It is most important that all the warnings shown in paragraph 3 of the Installation Instructions are strictly observed. Moreover, pay special attention to the following warnings during the use and maintenance of the cooker hood:

- 1.1- The grease filters and the charcoal filter should be cleaned or replaced as recommended by the manufacturer or more frequently if the hood is used consistently over 4 hours per day.
- 1.2- When using a gas hob in connection with the cooker hood never leave the burners of the hob uncovered while the hood is in use or when the pans have been removed. Switch off the gas before removing the pan, or for just short periods and never leave the hob unattended.
- 1.3- Always ensure that the flame is kept at the correct intensity to prevent the flame from licking round from the bottom of the pan; this will save energy and will avoid a dangerous concentration of heat.
- 1.4- Always ensure that the appliance is used in accordance with the manufacturer's instructions for the removal of contaminated air and odours during cooking.

2 - OPERATION

1 - Switch control panel (fig. 10)

The cooker hood can be operated as follows:

SWITCH L= controls the worktop illumination;

SWITCH M = controls the power to the motor;

SWITCH V= controls the fan speed:

Position 1 = low speed, should be selected when simmering or using only one pan; the noise level is kept to the minimum.

Position 2 = medium speed, should be selected for normal cooking. This speed offers the best ratio between air capacity and noise level.

Position 3 = top speed, should be selected when frying or cooking food with strong odours, even for a long period.

2 - Button control panel (fig. 11)

The layout of the control is as follows:

BUTTON L = Turns the lighting system on and off;

BUTTON V1 = Turns the on and off at low speed. This is ideal to obtain a particularly silent but continuous flow of air when the level of cooking fumes is low;

BUTTON V2 = Medium speed, suitable for most normal operating conditions. This gives an excellent ratio between treated air flow and noise level;

BUTTON V3 = High speed, suitable to deal with heavy cooking fumes, even for long periods of time.

3 - MAINTENANCE

Regular maintenance and cleaning will ensure good performance and reliability, while extending the working life of the hood. Special attention should be paid to the grease filters and to the charcoal filters when the hood is used in the recirculation mode.

3.1 - Metal grease filters

1 - Cleaning

The metal grease filter should be cleaned every two months with normal usage and can be cleaned in a dishwasher or by hand using a mild detergent or liquid soap.

2 - Replacement

Remove the filters one at a time, pushing the handle towards the rear of the hood (fig. 12). When replacing, ensure that the handle faces outwards.

3.2 - Thin synthetic filter

On certain models the metal grease filters are replaced with a lower grille panel containing a paper grease filter with saturation indicators.

1 - **Functioning**
The filter through the perforated metal grille cannot be washed and should be replaced when the violet colour of the dots has spread over the whole surface and, in any case, not later than every 2 months. **The manufacturer declines any liability for any injury or damage caused as a result of not following this instruction.**

2 - Replacement

- To remove the filter for subsequent replacement first open the metal grille panel (fig. 16a) by pressing back on the two slide catches towards the rear wall which will allow the grille panel to open and hinge downward from the rear.

- To remove the metal grille panel slide the right hand edge forward until the hinge pin comes away from the recess in the side casing as illustrated in fig 16b.

- The filter is easily removed from the grille by pushing the wire clips to one side and removing as illustrated in fig. 16c.

- Replace the filter ensuring that the saturation indicators face downwards.

- Replace the wire clips and metal grille panel by reversing the operation ensuring that the lower grille is securely fastened to the casing.

ATTENTION - THERE COULD BE A POSSIBLE FIRE HAZARD IF THE FILTERS ARE NOT REPLACED ACCORDING TO THESE INSTRUCTIONS.

3.3 - Charcoal filters

1 - Functioning

In the recycling mode the charcoal filters absorb smells and odours. This hood is designed to be fitted with two charcoal filters on both sides of the fan unit (fig. 14). The charcoal filter cannot be washed and should be replaced at least every 4 months or more frequently if the hood is used consistently.

2 - Replacement

To remove the charcoal filters place on hand on one filter at a time and turn it toward the front part. The charcoal filter can now be removed. Always ensure to replace both filters at the same time.

3.4 - Worktop illumination

Worktop illumination can be provided by 1 15W neon strip light, by 2 40W bulbs, or by two 20W halogen lamps. To replace the lighting elements, proceed as follows:

1 - Neon Strip light - Bulbs (fig. 15)

a) Remove the metal clips T. The glass diffuser is kept in position by the retaining lugs Z.

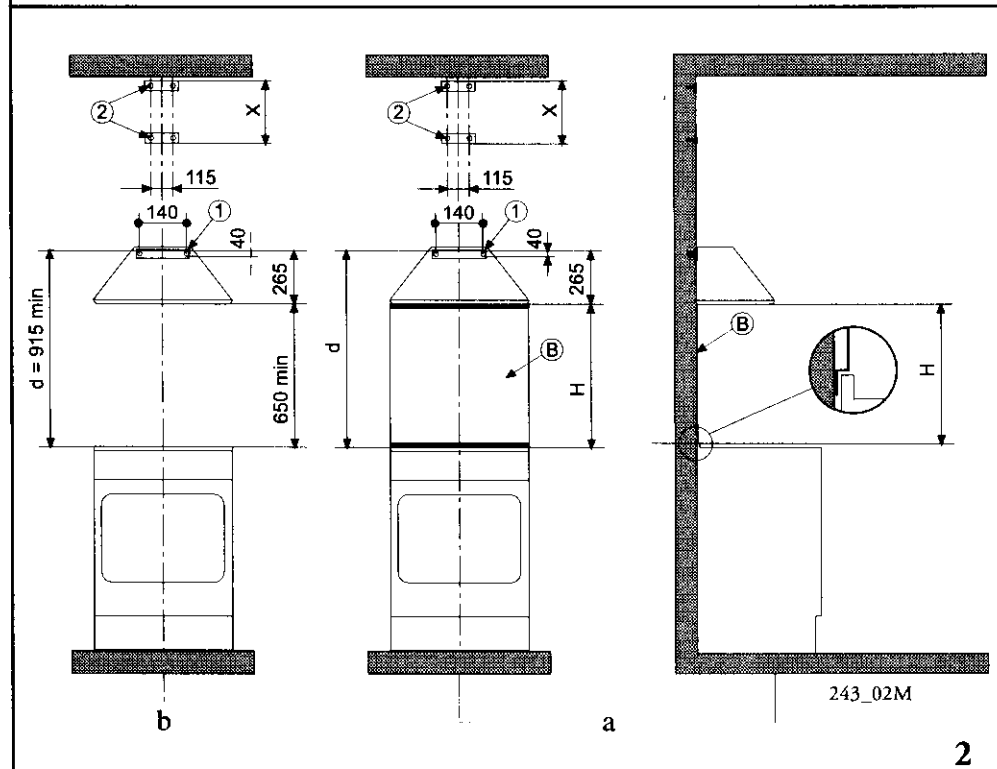
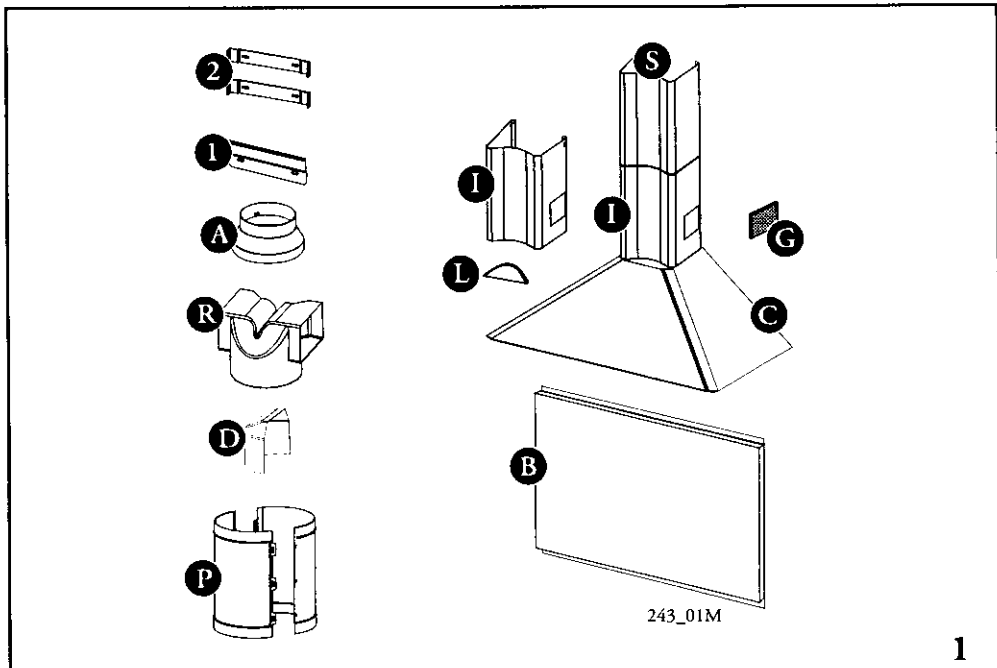
b) Pull the glass diffuser slightly to one side until it disconnects from the lug on the other side (arrow 1), then pull slightly downwards (arrow 2) and slide in the opposite direction (arrow 3) until the glass diffuser can be removed. Replace the lamps or the neon strip and replace the glass diffuser by repeating the above operations in reverse order.

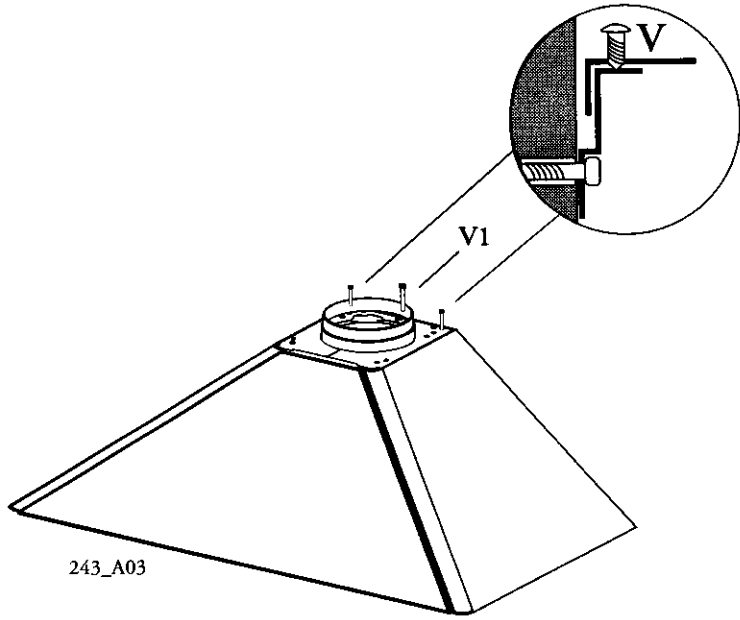
- c) If illumination is provided by spotlights beside the control panel, these can be replaced simply by removing the metal grease filters.
- 2 - Halogen lamps
- a) Remove the metal lamp support in the same way as the glass diffuser (fig. 16).
 - b) Remove the halogen lamp with another of the same type (12V-20W) (fig. 17). When reassembling, take care that the two pins are correctly inserted in the lamp holder.

3.5 - Cleaning

When cleaning the hood:

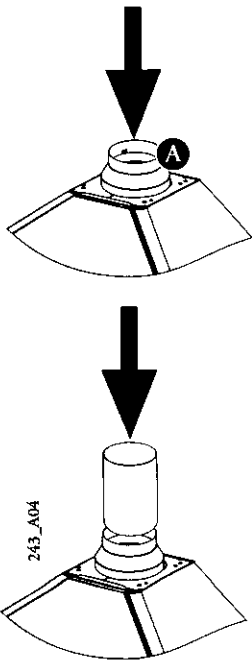
- Never use a wet cloth or sponge, or running water.
 - Never use thinners or products containing alcohol, as they might damage the paintwork.
 - Never use abrasive cleaning materials, in particular when cleaning stainless steel surfaces.
- It is recommended to use a damp cloth and mild liquid household cleaner.**





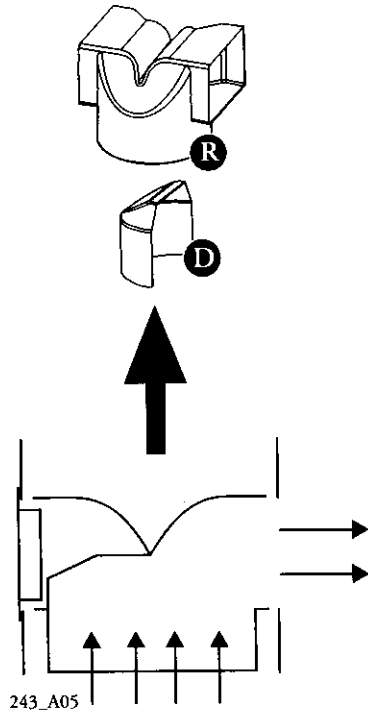
243_A03

3



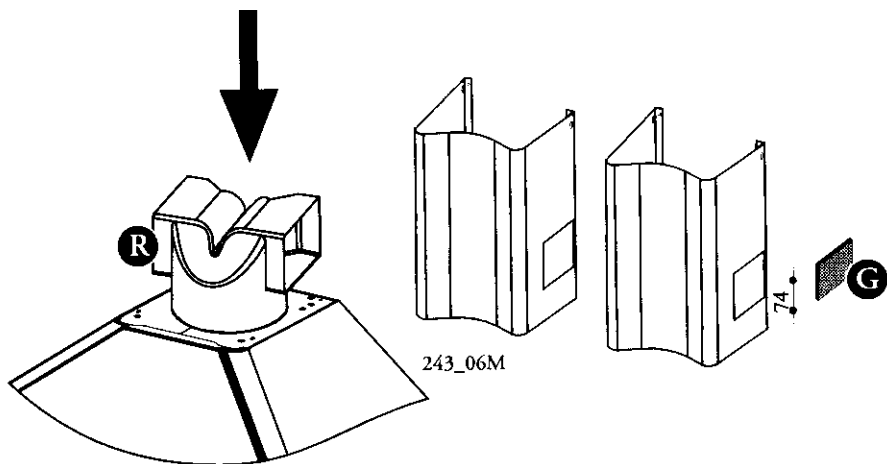
243_A04

4

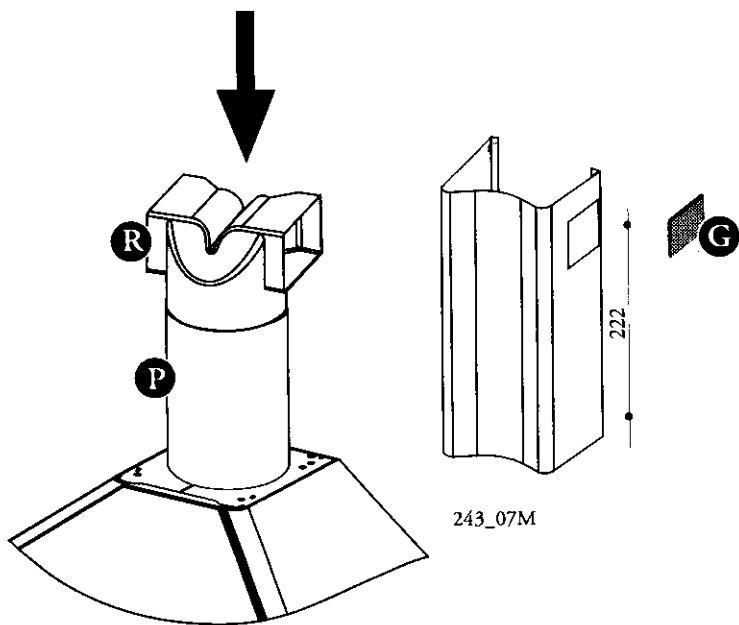


243_A05

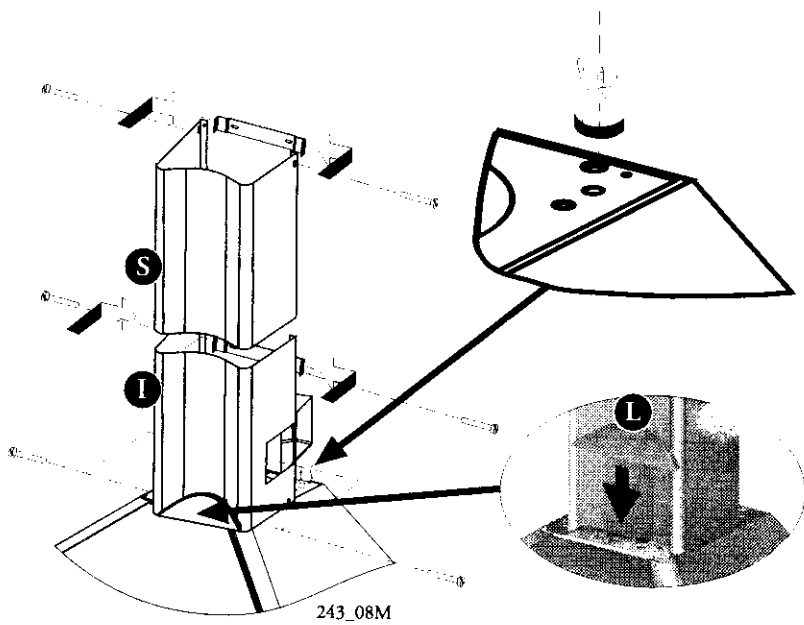
5



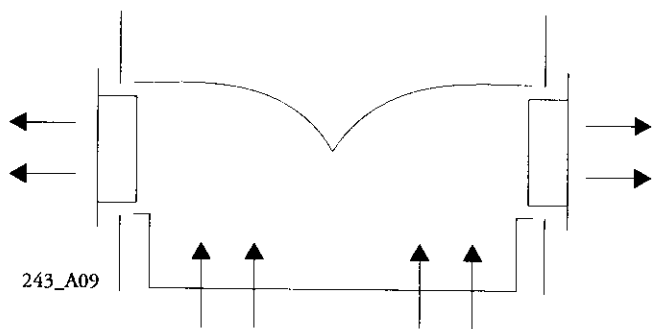
6



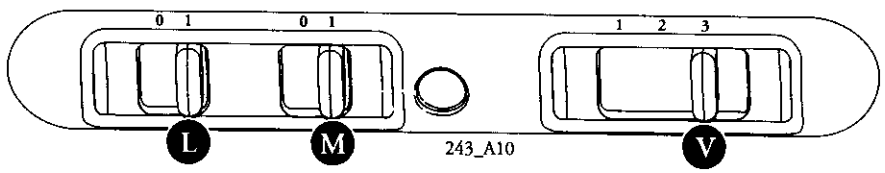
7



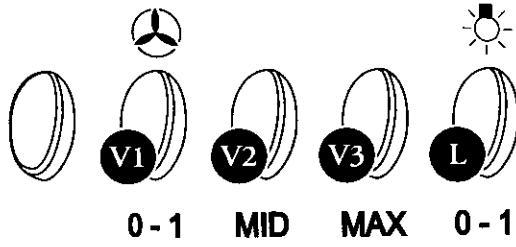
8



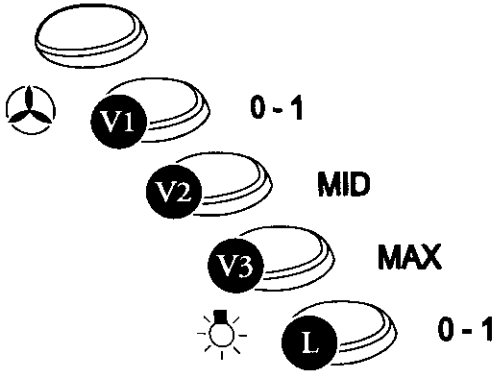
9



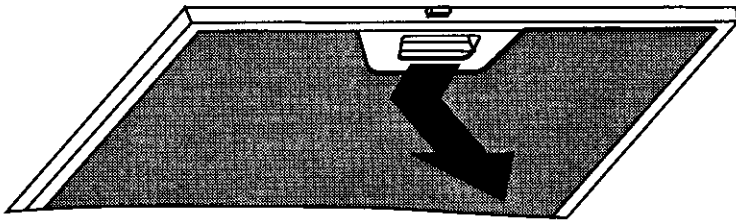
10



243_A11

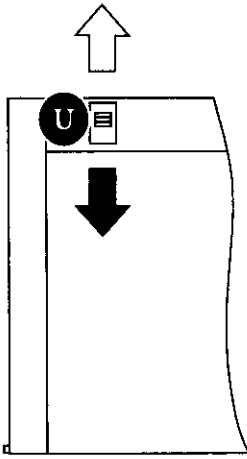


11



281_06

12

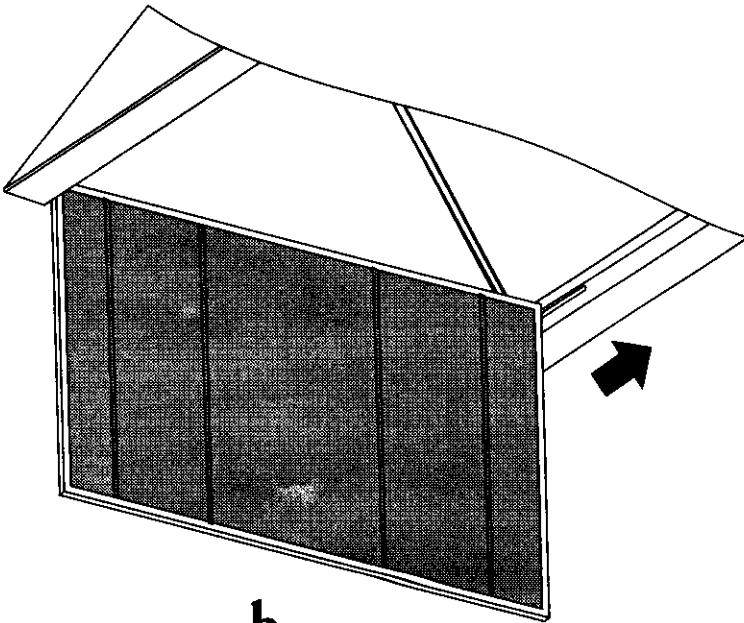


243_16

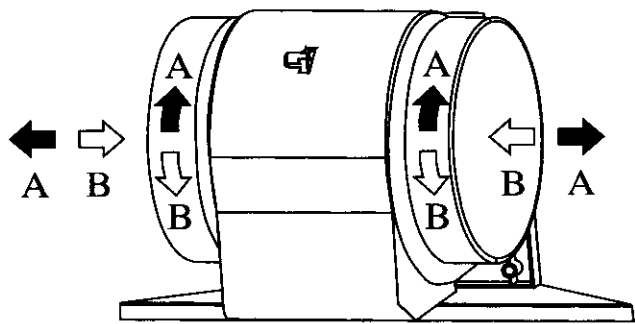
a



c

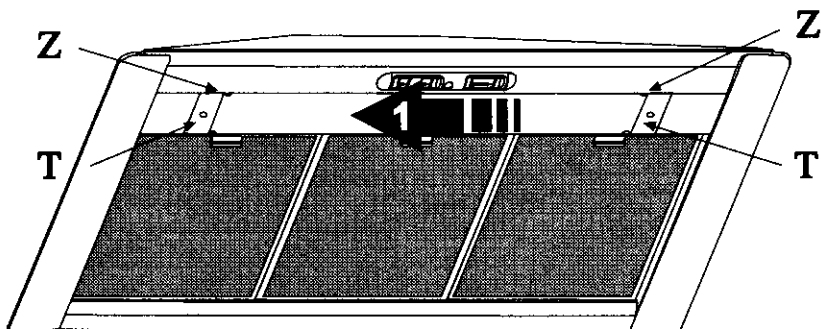


b

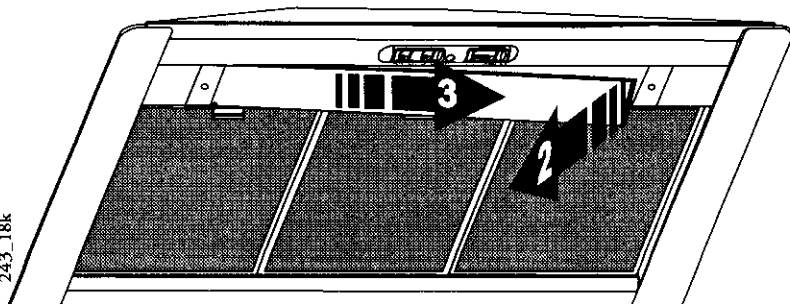


S15_09

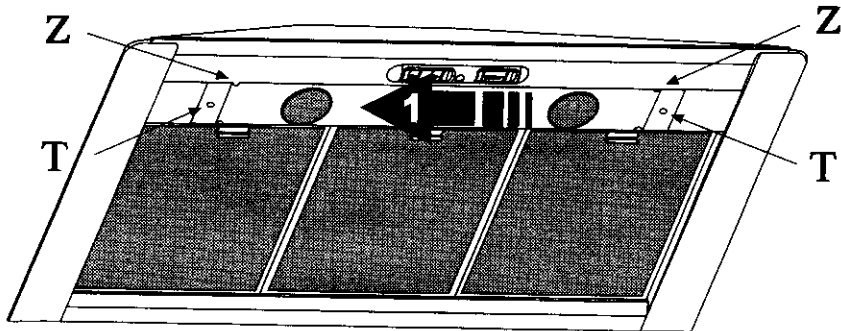
14



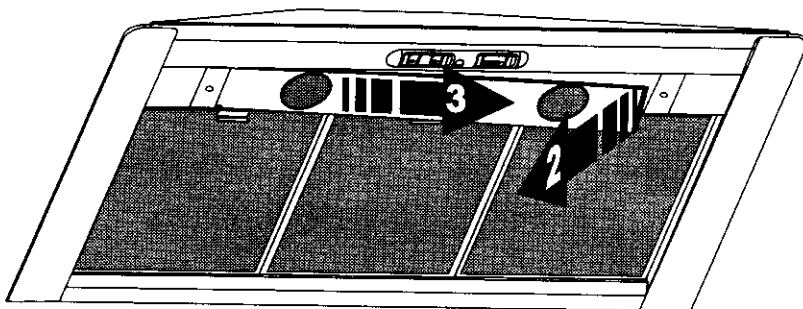
243_18k



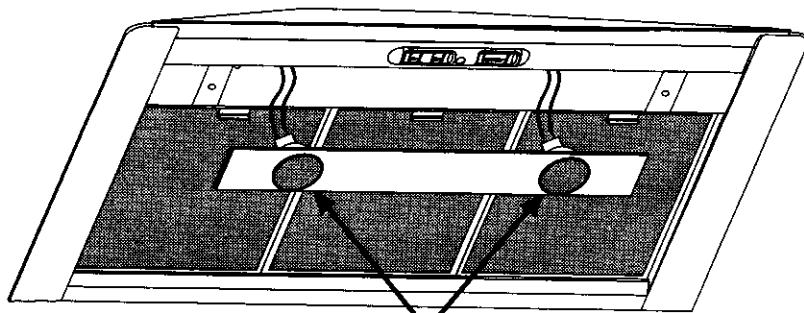
15



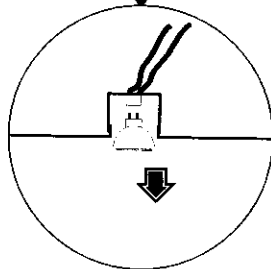
243_19



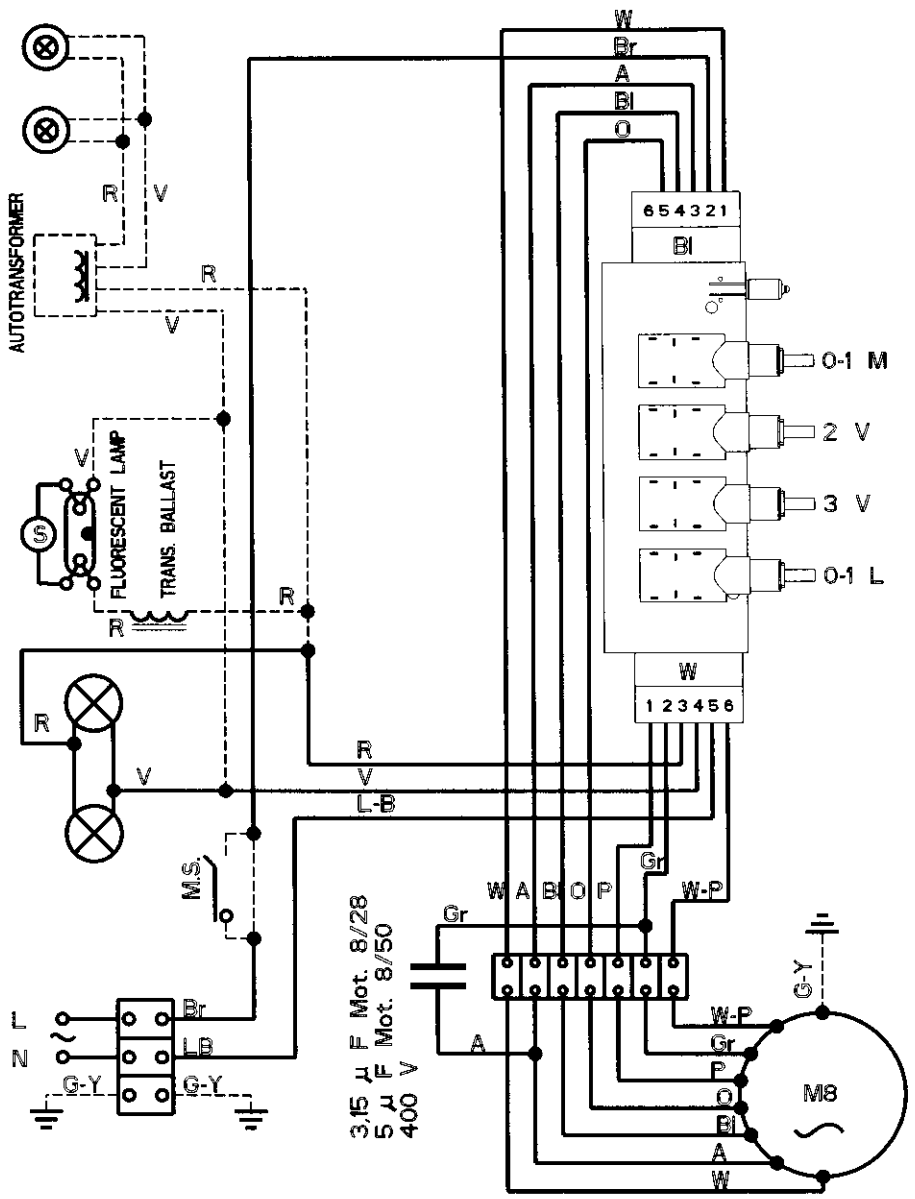
16



243_20



17



243_121